

Autonics

DUAL INDICATOR TEMPERATURE CONTROLLER

TCN4 SERIES

INSTRUCTION MANUAL



Thank you for choosing our Autonics product.
Please read the following safety considerations before use.

Safety Considerations

- ⚠ Please observe all safety considerations for safe and proper product operation to avoid hazards.
- ⚠ Safety considerations are categorized as follows.
- Warning** Failure to follow these instructions may result in serious injury or death.
- Caution** Failure to follow these instructions may result in personal injury or product damage.
- ⚠ The symbols used on the product and instruction manual represent the following
- ⚠ symbol represents caution due to special circumstances in which hazards may occur.

Warning

- Fail-safe device must be installed when using the unit with machinery that may cause serious injury or substantial economic loss.** (e.g. nuclear power control, medical equipment, ships, vehicles, railways, aircraft, combustion apparatus, safety equipment, crane/disaster prevention devices, etc.)
Failure to follow this instruction may result in personal injury, fire or economic loss.
- Do not use the unit in the place where flammable/explosive/corrosive gas, humidity, direct sunlight, radiant heat, vibration, impact, or salinity may be present.**
Failure to follow this instruction may result in explosion or fire.
- Install on a device panel to use.**
Failure to follow this instruction may result in fire or electric shock.
- Do not connect, repair, or inspect the unit while connected to a power source.**
Failure to follow this instruction may result in fire or electric shock.
- Check 'Connections' before wiring.**
Failure to follow this instruction may result in fire.
- Do not disassemble or modify the unit.**
Failure to follow this instruction may result in fire or electric shock.

Caution

- When connecting the power input and relay output, use AWG 20(0.50mm²) cable or over and tighten the terminal screw with a tightening torque of 0.74-0.90N·m.**
When connecting the sensor input and communication cable without dedicated cable, use AWG 28-16 cable and tighten the terminal screw with a tightening torque of 0.74-0.90N·m.
Failure to follow this instruction may result in fire or malfunction due to contact failure.
- Use the unit within the rated specifications.**
Failure to follow this instruction may result in fire or product damage.
- Use dry cloth to clean the unit, and do not use water or organic solvent.**
Failure to follow this instruction may result in fire or electric shock.
- Keep metal chip, dust, and wire residue from flowing into the unit.**
Failure to follow this instruction may result in fire or product damage.

Ordering Information

T	CN	4	S	-2	4	R	-P
Wiring method							
No-mark	Bolt wiring method						
P	Connector plug connection method ^{※1}						
Control output							
R	Relay contact + SSR drive output ^{※2}						
Power supply							
2	24VAC 50/60Hz, 24-48VDC						
4	100-240VAC 50/60Hz						
Sub output							
2	Alarm1 + Alarm2 output						
Size							
S	DIN W48 × H48mm						
M	DIN W72 × H72mm						
H	DIN W48 × H96mm						
L	DIN W96 × H96mm						
Digit							
4	9999 (4 digit)						
Setting type							
CN	Dual display type, set by touch switch						
Item							
T	Temperature controller						

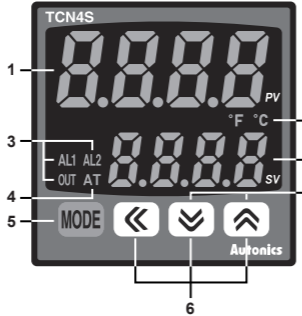
※1 Only for TCN4S model.
 ※2 In case of the AC voltage model, SSR drive output method (standard ON/OFF control, cycle control, phase control) is available to select.
 ※The above specifications are subject to change and some models may be discontinued without notice.
 ※Be sure to follow cautions written in the instruction manual and the technical descriptions (catalog, homepage).

Specification

Series	TCN4S	TCN4M	TCN4H	TCN4L
Power supply	AC Power 100-240VAC~ 50/60Hz	AC/DC Power 24VAC~ 50/60Hz, 24-48VDC=		
Allowable voltage range	90 to 110% of rated voltage			
Power consumption	AC Power Max. 5VA(100-240VAC 50/60Hz)	AC/DC Power Max. 5V(24VAC 50/60Hz), Max. 3W(24-48VDC)		
Display method	7 segment (PV: red, SV: green), other display part(green, red) LED method			
Character size	PV(W×H) 7.0×15.0mm	9.5×20.0mm	7.0×14.6mm	11.0×22.0mm
Input type	RTD	DIN Pt100Ω, Cu50Ω (Allowable line resistance max.5Ω per a wire)	K(CA), J(IC), L(IC), T(CC), R(PR), S(PR)	
Display accuracy	RTD At room temperature(23°C ± 5°C): (PV ± 0.5% or ±1°C, select the higher one) ± 1 digit	Out of room temperature range: (PV ± 0.5% or ±2°C, select the higher one) ± 1 digit	For TCN4S-□-P, add ±1°C by accuracy standard.	
Control output	Relay 250VAC~ 3A 1a	SSR 12VDC=±2V 20mA Max.		
Alarm output	AL1, AL2 Relay: 250VAC~ 1A 1a			
Control method	ON/OFF control, P, PI, PD, PID control			
Hysteresis	1 to 100°C/°F (0.1 to 50.0°C/°F)			
Proportional band(P)	0.1 to 999.9°C/°F			
Integral time(I)	0 to 9999 sec.			
Derivative time(D)	0 to 9999 sec.			
Control period(T)	0.5 to 120.0 sec.			
Manual reset	0.0 to 100.0%			
Sampling period	100ms			
Dielectric strength	AC power 2000VAC 50/60Hz 1min.(between input terminal and power terminal)	AC/DC power 1000VAC 50/60Hz 1min.(between input terminal and power terminal)		
Vibration	0.75mm amplitude at frequency of 5 to 55Hz in each X, Y, Z direction for 2 hours			
Relay life cycle	Mechanical	OUT: Over 5,000,000 times, AL1/2: Over 5,000,000 times		
	Electrical	OUT: Over 200,000 times(250VAC 3A resistive load) AL1/2: Over 300,000 times(250VAC 1A resistive load)		
Insulation resistance	Min. 100MΩ(at 500VDC megger)			
Noise	Square-wave noise by noise simulator(pulse width 1μs) ±2KV R-phase and S-phase			
Memory retention	Approx. 10 years (when using non-volatile semiconductor memory type)			
Environ-ment	Ambient temp.	-10 to 50°C, Storage: -20 to 60°C		
	Ambient humi.	35 to 85%RH, Storage: 35 to 85%RH		
Insulation type	Double insulation or reinforced insulation (mark: □ dielectric strength between the measuring input part and the power part : AC power 2kV, AC/DC power 1kV)			
Approval	CE, UL, ENEC, etc.			
Weight	Approx. 147g (approx. 100g)	Approx. 203g (approx. 133g)	Approx. 194g (approx. 124g)	Approx. 275g (approx. 179g)

※1: ○ At room temperature(23°C±5°C)
 - Below 200°C of thermocouple R(PR), S(PR) is (PV ± 0.5% or ±3°C, select the higher one) ± 1 digit
 - Over 200°C of thermocouple R(PR), S(PR) is (PV ± 0.5% or ±2°C, select the higher one) ± 1 digit
 - Thermocouple L (IC), RTD Cu50Ω is (PV ± 0.5% or ±2°C, select the higher one) ± 1 digit
 ○ Out of room temperature range
 - Below 200°C of thermocouple R(PR), S(PR) is (PV ± 1.0% or ±6°C, select the higher one) ± 1 digit
 - Over 200°C of thermocouple R(PR), S(PR) is (PV ± 0.5% or ±5°C, select the higher one) ± 1 digit
 - Thermocouple L(IC), RTD Cu50Ω is (PV ± 0.5% or ±3°C, select the higher one) ± 1 digit
 For TCN4S-□-P, add ±1°C by accuracy standard.
 ※2: The weight includes packaging. The weight in parentheses is for unit only.
 ※ Environment resistance is rated at no freezing or condensation.

Unit Description



- Present temperature (PV) display (Red)**
 1) RUN mode: Present temperature (PV) display
 2) Parameter setting mode: Parameter display
- Set temperature (SV) display (Green)**
 1) RUN mode: Set temperature (SV) display
 2) Parameter setting mode: Parameter setting value display
- Control/Alarm output display indicator**
 1) OUT: It turns ON when the control output is ON. During SSR drive output type in CYCLE/PHASE control, this indicator turns ON when MV is over 3.0%.
 2) AL1/AL2: t turns ON when the alarm output is ON.
- Auto tuning indicator**
 AT indicator flashes by every 1 sec during operating auto tuning.
- MODE key**
 Used when entering into parameter groups, returning to RUN mode, moving parameter, and saving setting values.

Adjustment

Used when entering into set value change mode, digit moving and digit up/down.
 Press **MODE** + **←** keys for 3 sec. to operate the set function (RUN/STOP, alarm output reset, auto tuning) in digital input key [d] t].

Temperature unit (°C/°F) indicator

t shows current temperature unit.

Input Sensor and Temperature Range

Input sensor	Display	Temperature range(°C)	Temperature range(°F)	
K(CA)	εCRL	-50 to 1200	-58 to 2192	
	εCRL	-50.0 to 999.9	-58.0 to 999.9	
	J(IC)	Ji CL	-30 to 800	-22 to 1472
	Ji CL	-30.0 to 800.0	-22.0 to 999.9	
	L(IC)	Li CH	-40 to 800	-40 to 1472
	Li CH	-40.0 to 800.0	-40 to 999.9	
T(CC)	εCCL	-50 to 400	-58 to 752	
	εCCL	-50.0 to 400.0	-58.0 to 752.0	
	R(PR)	rPr	0 to 1700	32 to 3092
S(PR)	sPr	0 to 1700	32 to 3092	
	dPtH	-100 to 400	-148 to 752	
RTD	dPtL	-100.0 to 400.0	-148.0 to 752.0	
	CU5H	-50 to 200	-58 to 392	
	CU5L	-50.0 to 200.0	-58.0 to 392.0	

Dimensions

(unit: mm)

● TCN4S Series

● TCN4S-□-P

● TCN4M Series

● TCN4H Series

● TCN4L Series

● Terminal cover(sold separately)

● RSA-COVER(48×48mm)

● RMA-COVER(72×72mm)

● RHA-COVER(48×96mm)

● RLA-COVER(96×96mm)

● Bracket

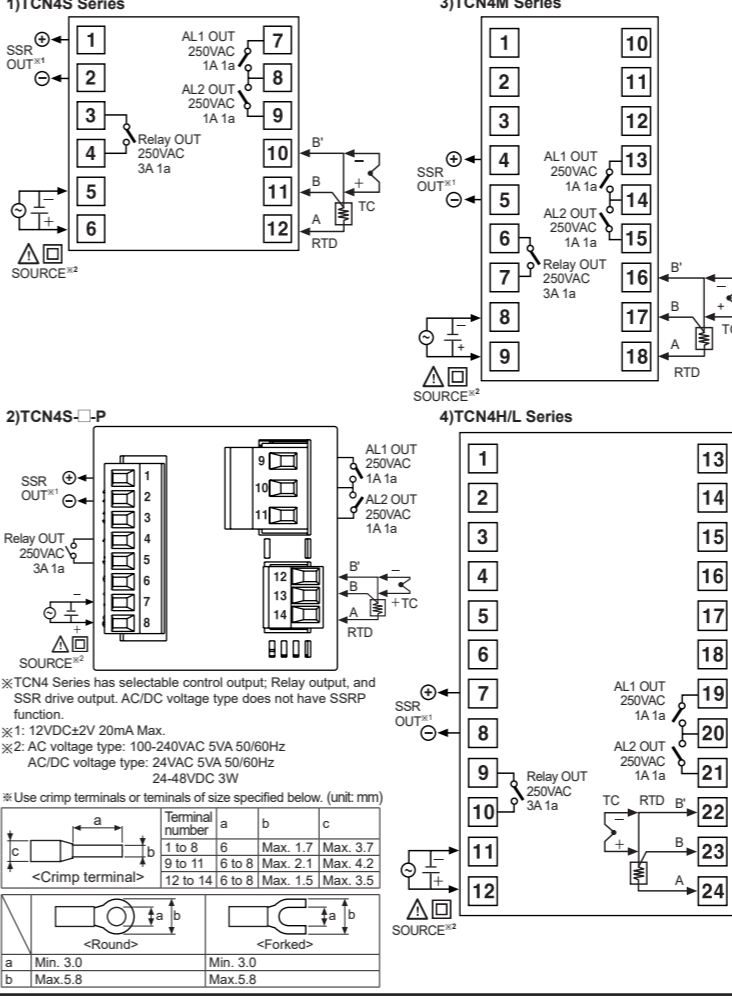
● TCN4S Series

● TCN4M, TCN4H, TCN4L Series

● Panel cut-out

Series	A	B	C	D
TCN4S	Min. 65	Min. 65	45°	45°
TCN4M	Min. 90	Min. 90	68°	68°
TCN4H	Min. 65	Min. 115	45°	92°
TCN4L	Min. 115	Min. 115	92°	92°

Connections



Parameter Groups

